







**OFFER FOR THE VENUS MAKE FIX FOAM CONCRETE ROAD PAVER FINISHER**

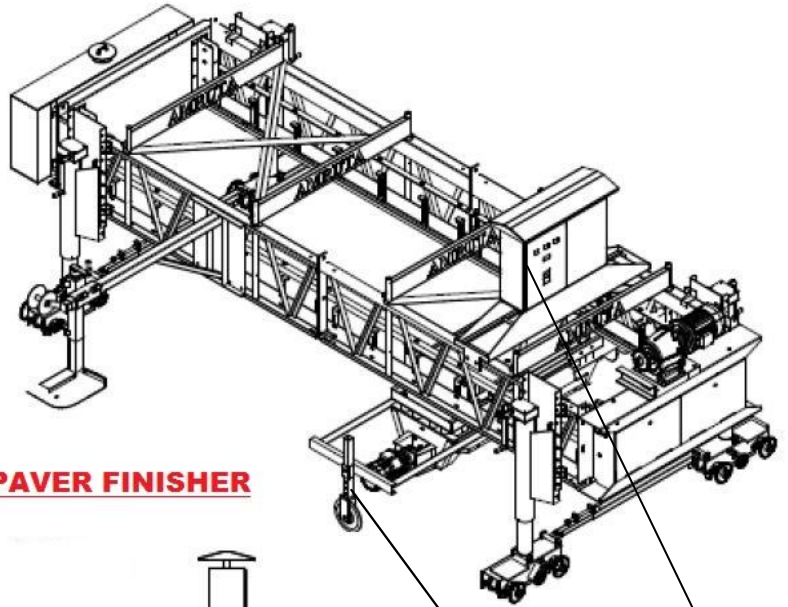
<p><b><u>STRUCTURE AND CHASSIS</u></b></p> 	<ul style="list-style-type: none"> <li>• Side Panel in Interchangability Section.</li> <li>• Drive Bogie with Electrical attachment.</li> <li>• Idler Bogie with Its Electrical attachment with all supports.</li> <li>• Drive &amp; Idler End Panel with all support.</li> <li>• Vibratory Cylinder.</li> <li>• Surface Cylinder under carriage Assembly.</li> </ul>
<p><b><u>SCREW JACKS</u></b></p> 	<ul style="list-style-type: none"> <li>• 4 Nos Manually Operating type Screw Jack.</li> <li>• 4 Nos. Separate Handle for Screw Jack adjustment.</li> <li>• 2 Nos Electrical Drive with Gear Box Bonfinglioli Make with Motor.</li> </ul>
<p><b><u>WORM AUGER</u></b></p> 	<ul style="list-style-type: none"> <li>• The Auger is welded with Special hard faced welding Electrode to obtain maximum wear life.</li> <li>• Worm auger is designed to work in the direction of travel movement of the machine</li> </ul>
<p><b><u>CONTROL PANEL</u></b></p> 	<ul style="list-style-type: none"> <li>• Carriage movement adjustable with Variable speed controls.</li> <li>• Shock protection device.</li> <li>• Overload protection</li> </ul>
<p><b><u>VENUS SCOPE OF SUPPLY</u></b></p>	<ul style="list-style-type: none"> <li>• FIX FOAM PAVER WITH 7.5 MTR WORKABLE WIDTH INCLUDING CONTROL PANEL, AND RAIL OF 30 X 2 SIDES = 60 MTR. WITH ALL STANDARD ACCESSORIES</li> </ul>

**OPTIONAL ACCESSORIES:-**

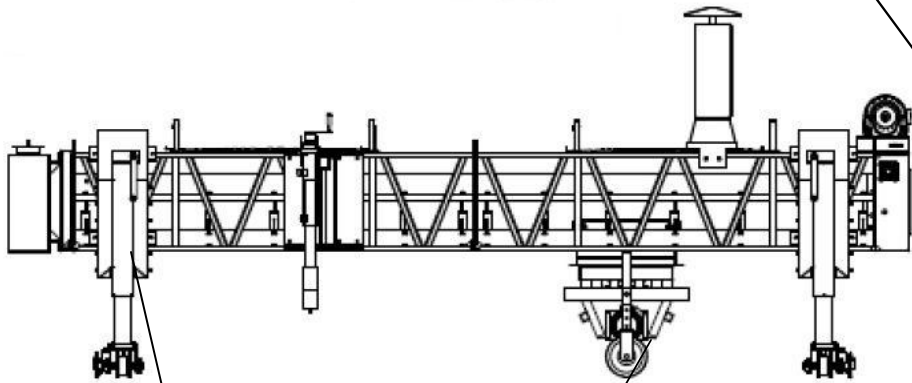
<ul style="list-style-type: none"> <li>• <u>GROOVE CUTTING ARRANGEMENT</u></li> </ul>	
<ul style="list-style-type: none"> <li>• <u>NEEDLE AND PAN VIBRATOR ASSEMBLY ELECTRICALLY OPERATED</u></li> </ul>	
<ul style="list-style-type: none"> <li>• <u>50 LBS USED RAIL</u></li> </ul>	<p style="text-align: right;"><b>RATE PER RUNNING METER</b></p>
<ul style="list-style-type: none"> <li>• <u>RAIL SETTING JACKS</u></li> </ul>	
<ul style="list-style-type: none"> <li>• <u>WOODEN SLEEPERS</u></li> </ul>	

**List of Additional Accessories to be arranged by Customer:**

1. Portable generator set of 25 KVA
2. 4 Core 6mm<sup>2</sup> Copper Flexible Cable – 100 Meters
3. Side Shuttering
4. Lifting device
5. Operating Crew, Labour etc.



**HORIZONTAL CONCRETE ROAD PAVER FINISHER**



**CONTROL PANEL**

**GROOVE CUTTER**

**SCREW JACK**

**VIBRATORY CYLINDRICAL ROLLER**